

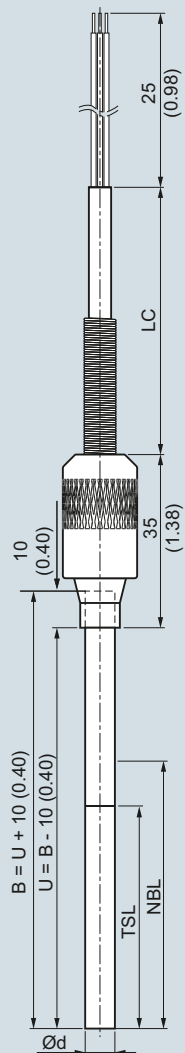
Temperature Measurement

SITRANS TS100

Cable mineral-insulated

Dimensional drawings

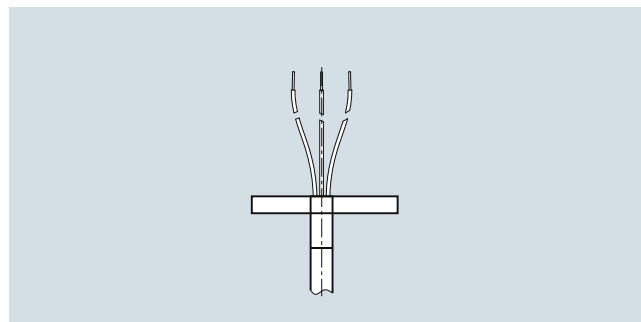
2



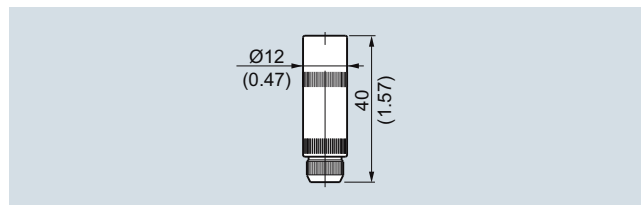
- B Measuring insert length
- Ød Measuring insert outer diameter (6 (0.24))
- LC Cable length
- NBL Non-bending length
- TSL Temperature-sensitive length
- U Insertion length

SITRANS TS100, temperature sensors in cable version, universal use, mineral-insulated version, for unfavorable space conditions, IP54 at sensor/cable transition, dimensions in mm (inch)

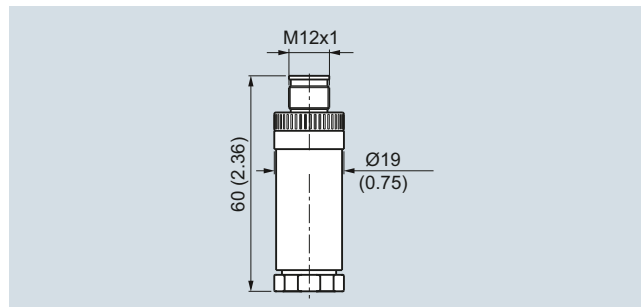
Design of connection side



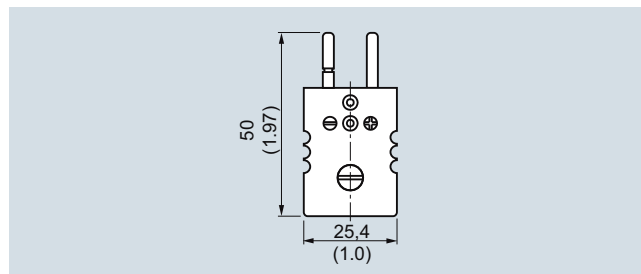
Flying leads, IP00, dimensions in mm (inch)



Coupling LEMO 1S, IP50, dimensions in mm (inch)



M12 plug, IP54, dimensions in mm (inch)



Thermocouple plug, IP20, dimensions in mm (inch)