



DIFFERENTIAL PRESSURE TRANSMITTERS

“All Stainless Steel”

Series DP-4000



▶ **STAINLESS STEEL HOUSING**

▶ **EASY ADJUSTABLE WITHOUT**

TESTPRESSURE BY 1 BUTTON

▶ **ACCURACY: 0.075%**

OPTION: 0.065%

▶ **TURN DOWN UP TO: 100:1**

▶ **GRAPHIC DISPLAY WITH**

BARGRAPH AND BACKLIGHT

▶ **HART® PROTOCOL (HART® 7)**

▶ **DEVELOPMENT ACCORDING TO SIL2**

▶ **DIAPHRAGM SEALS AVAILABLE**



Description

The DP-4000 is a high-performance differential pressure transmitter with a compact and robust **Stainless steel electronics housing**. The calibration / programming can be done very easy without testpressure by using the **Unique One Touch programming button** together with the **Graphic display with backlight**. The multilingual graphic display can indicate a number of chosen engineering units including the process temperature as well as the mA output in a bargraph. Damping times can be adjusted and a 4-20 mA current simulation can be performed. For flow measurement a square root function is built-in with adjustable cut off point. The output is 4-20 mA including HART® protocol (HART® 7.0). ATEX II1G Ex ia IIC T6 Ga and IECEx approvals are available.



Stainless steel electronics housing

HART® is a registered trademark of the HART Communication Foundation.

Manufactured by:

KLAY-INSTRUMENTS B.V.

Nijverheidsweg 5
P.O. Box 13
T: +31 521-591550
F: +31 521-592046

7991 CZ Dwingeloo
7990 AA Dwingeloo
The Netherlands
www.klay.nl

Series DP-4000

Specifications

Accuracy	: 0.075% (option: 0.065%)
Ranges	: 0-10 mbar to 0 – 20 bar
Turn down	: up to 100:1
Adjustment	: by One pushbutton and local display, without testpressure
Output	: 4-20 mA + HART® Protocol (version 5.0 and 7.0)
Supply	: 12 – 36 Vdc
Electronics housing	: AISI 304 (Option: AISI 316)
Protection	: IP66/67 (option IP68)
Process temperature	: -20°C to 80°C (option: 100°C)
Ambiant temperature	: -20°C to 70°C
Material wetted parts	: AISI 316L (option: Hastelloy C)
Material diaphragm	: AISI 316L (option: Hastelloy C, Tantalum or Gold plated)
Material sensor gasket	: Viton/FKM (standard), PTFE or NBR
Process connection	: 1/4 - 18 NPT female
Option	: ½” NPTf (by oval flanges)

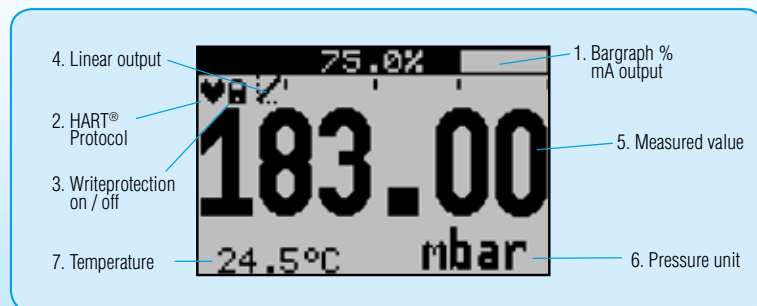
Adjustable points

P101	Zero adjustment (ZERO / 4 mA)
P102	Span adjustment (SPAN / 20 mA)
P103	Cancel mounting position effect
P104	Adjustment pressure unit
P105	Output 4-20 mA* or 20-4 mA
P106	Damping adjustment (0 - 25 sec.)
P107	Language: English*, Dutch, German, French, Russian or Polish
P108	Safety adjustment, Alarm and backlight
P109	Read out on display: Current, pressure unit, temp. or %.
P110	Current simulation (4-20 mA)
P111	Linearisation (various tankshapes)
P112	Burst mode (with option HART®)
P113	Instrument information
P114	Flow / Square root

* = Factory setting

Graphic display with bargraph and backlight

Multilingual: English, Dutch, German, French, Spanish, Russian and Polish



Unique 'One Touch Programming Button'

The series DP-4000 is carried out with a **unique control button**.

This 'single button' can be used for all programming / calibration functions.

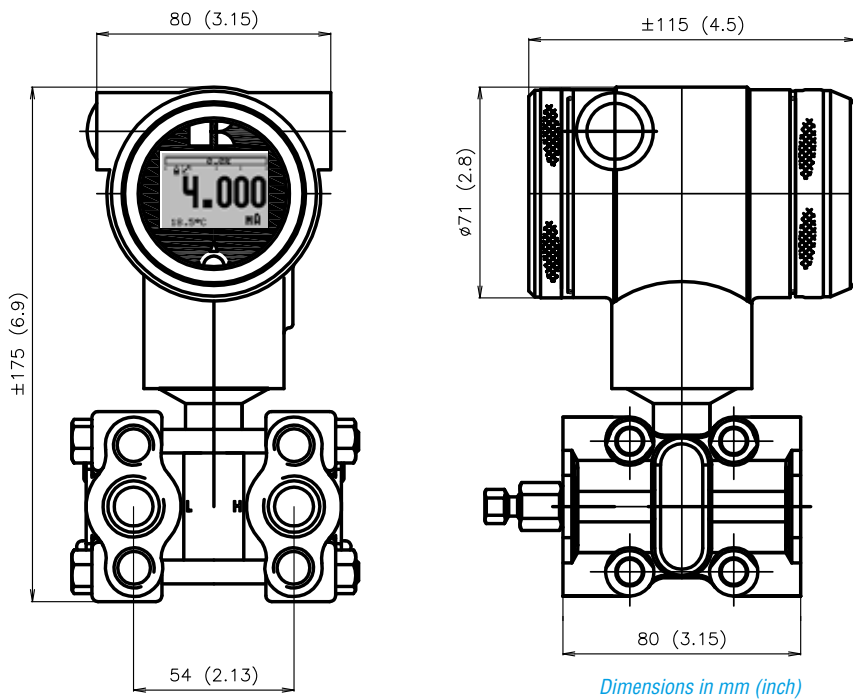


With unique OneTouch Programming Button



360° Revolving display

Series DP-4000



Wetted parts AISI 316L
Including vent valves.

Separate electronics housing:

Series DP-4000 is also available in a separate version.

Type: **DP-4000-Cable(...m)-range-...**

Always specify the cable length, range etc.

DP-Level Measurement in closed tanks:

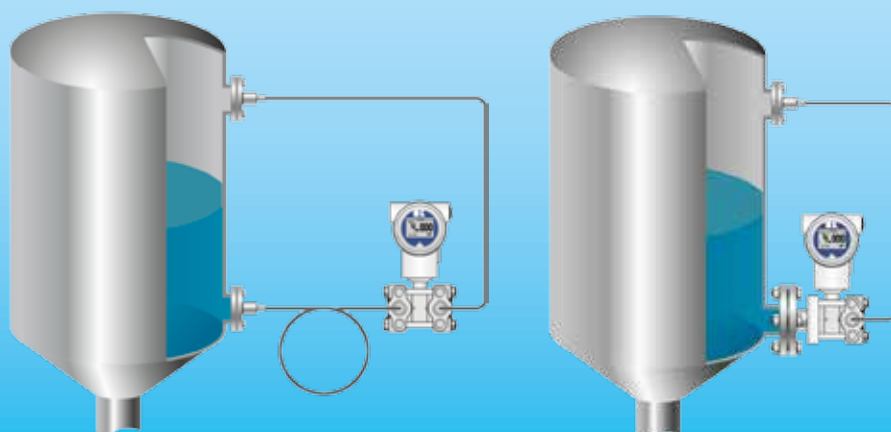
For DP level measurement in closed pressurized tanks a DP-4000 with separate diaphragm seals is available.

A tank linearization can be programmed very easy.

The standard tank shapes are:


- Horizontal tank with flat end or parabolic end
- Vertical tank with a spherical bottom or conical bottom

**For level measurement in open (non-pressurized) tanks please use other Klay Level transmitters, i.e. Series 8000-SAN (0.2%), series 2000-SAN (0.1%) or series 4000-SAN (0.075%).*



DP-4000 with
oval flanges
(option)

Ordering codes Series DP-4000

Series DP-4000				Ordering code: DP-4000-													
ACCURACY CLASS:				↑	↑	↑	↑	↑	↑	↑	↑	↑	↑	↑	↑	↑	
0,075 % (standard)				S													
0,065 %				H													
RANGE:	TD	MIN SPAN:	MAX SPAN:														
60 mbar	6:1	10 mbar	60 mbar	A													
400 mbar	40:1	10 mbar	400 mbar	B													
2.0 bar	100:1	20 mbar	2000 mbar	C													
30 bar	100:1	0,2 bar	20 bar	D													
STATIC PRESSURE (MAX.):																	
160 bar (standard)				S													
250 bar (only for range B, C and D)				H													
DIAPHRAGM MATERIAL / BODY MATERIAL:																	
AISI 316 L (standard)		AISI 316L		S													
Hastelloy C 276		AISI 316L		H													
Tantalum		AISI 316L		T													
Gold plated on SST 316L		AISI 316L		G													
FILL FLUID DIAPHRAGM																	
Silicone oil (standard)				S													
Fluorinated oil				F													
GASKET (PROCESS / DIAPHRAGM)																	
Viton (FKM) (standard)				V													
Teflon (PTFE)				T													
NBR				N													
PROCESS CONNECTION / OVAL FLANGE CONNECTION / VENTING																	
1/4 - 18 NPT female	7/16-20 UNF	Incl. vent valves at flange end		S													
ELECTRICAL CONNECTION / CABLE ENTRY																	
M20 x 1.5 female thread (standard)				S													
1/2"NPT female thread				N													
PG 11				P													
APPROVALS																	
None				S													
Intrinsically safe ATEX  II1G Ex ia IIC T6 Ga and IECEx				Ex													
OPTIONS																	
Transparent cover, display functions as local indicator				I													
Degreasing (Silicone oil)				D													
Oxygen cleaning (Fluorinated oil) FKM gasket				Ox													
Electronics housing material AISI 316 (Standard is AISI 304)				G9													

Ordercode standard Model: DP-4000-S-C-S-S-S-V-S-S-S

ACCESSORIES:
- Mounting bracket (AISI 304)
- Oval Flanges (AISI 316L) to get 1/2" NPTf process connection.
- Bolts / nuts in AISI 316 (Standard is AISI 304)
- 3 way manifold (AISI 316L) Type: M3G
- 5 way manifold (AISI 316L) Type: M5G



We reserve the right for technical modifications without prior notice.

KLAY-INSTRUMENTS B.V.
www.klay-instruments.com



Nijverheidsweg 5
P.O. Box 13
T: +31 521-591550
F: +31 521-592046

7991 CZ Dwingeloo
7990 AA Dwingeloo
The Netherlands
E: info@klay.nl